



DEA®



SWING



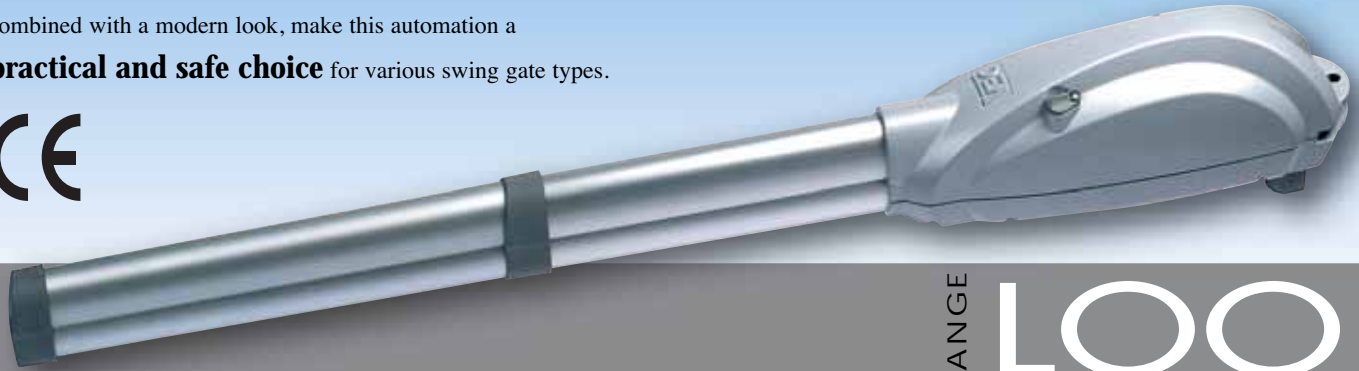
LOOK

Electromechanical linear ram for swing gates



LOOK is the new telescopic electromechanical ram for leafs up to 2,5 m or 3,8 m long.

**Reliability, strength and functionality,** combined with a modern look, make this automation a **practical and safe choice** for various swing gate types.



RANGE LOOK

**For leafs up to 2,5 m**

- LOOK 350:** operator stroke 320mm, 230V ac, without rod cover.
- LOOK 351:** operator stroke 320mm, 230V ac, with rod cover.
- LOOK 352:** operator stroke 320mm, 230V ac, with rod cover and limit switches in open and close.
- LOOK 353:** operator stroke 320mm, 230V ac, with rod cover. Not self-locking.
- LOOK 354:** operator stroke 320mm, 230V ac, with rod cover and limit switches in open and close. Not self-locking.

**For leafs up to 3,8 m**

- LOOK 355:** operator stroke 520mm, 230V ac, with rod cover.
- LOOK 356:** operator stroke 520mm, 230V ac, with rod cover and limit switches in open and close.
- LOOK 357:** operator stroke 520mm, 230V ac, with rod cover. Not self-locking.
- LOOK 358:** operator stroke 520mm, 230V ac, with rod cover and limit switches in open and close. Not self-locking.

**For solutions in low voltage\***

- LOOK 371:** operator stroke 320mm, 24V dc, with rod cover. For leafs up to 2,5 m.
- LOOK 372:** operator stroke 520mm, 24V dc, with rod cover and limit switches in open and close. For leafs up to 2,5 m.
- LOOK 373:** operator stroke 520mm, 24V dc, with rod cover. For leafs up to 3,8 m.
- LOOK 374:** operator stroke 520mm, 24V dc, rod cover and limit switches in open and close. For leafs up to 3,8 m.

*\*the automation in 24V DC enables programmable limit switches, final slow-down in opening / closing and reverser function on obstacle; moreover a battery backup system enables the operation in case of power failure.*

*The DEA System control boards are planned to optimize the performances of LOOK range. It is suggested to use control boards with electronic force adjustment: 202E/3 and 212E/C (230V ac) or 224RR/C (24V dc).*

The models

- Electromechanical automation, 230V ac and 24V dc.
- Available in 2 lengths, stroke 320 or 520 mm, for leafs up to 2,5 or 3,8 m long.
- Simple and safe manual unlocking device by special key.
- Limit switches in open and close, easy to adjust.
- Internal electrical terminals, to make easier and faster the wiring of motor and limit switches.
- Incorporated condenser.
- Rear fastening plate with several holes, for an easier fixing.

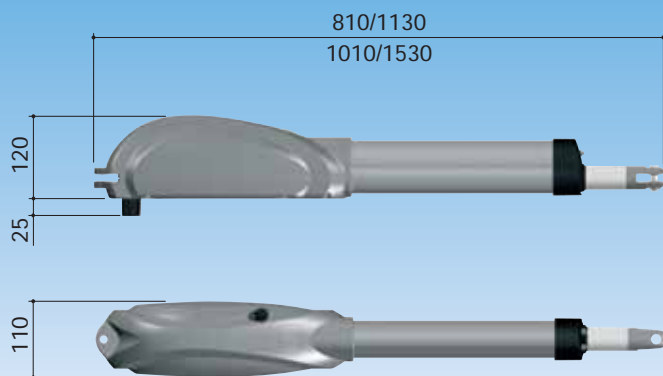


*Rapid unlocking system.*



*Internal terminal board for an easier connection of the operator and limit switches*

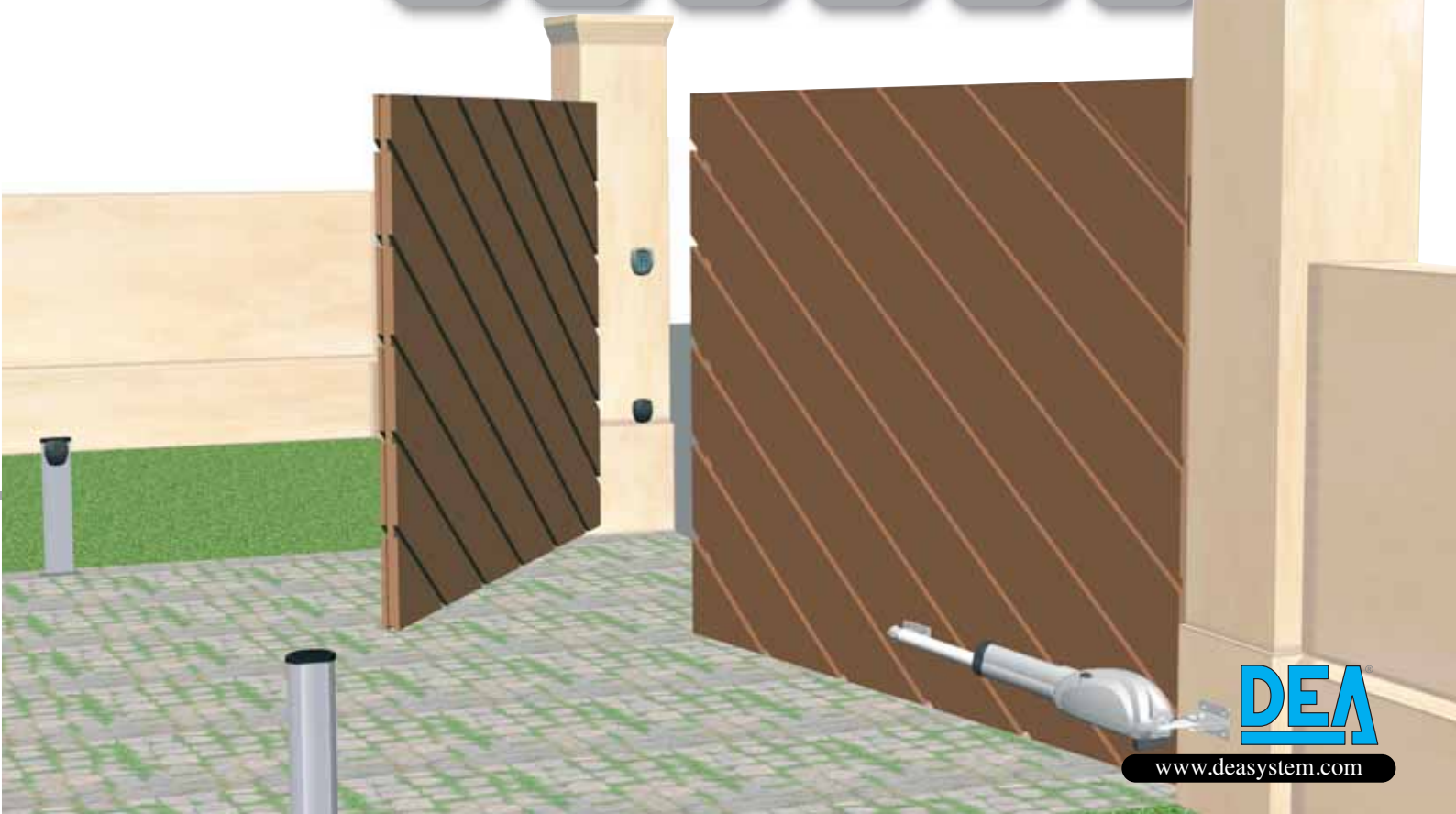
# KIT



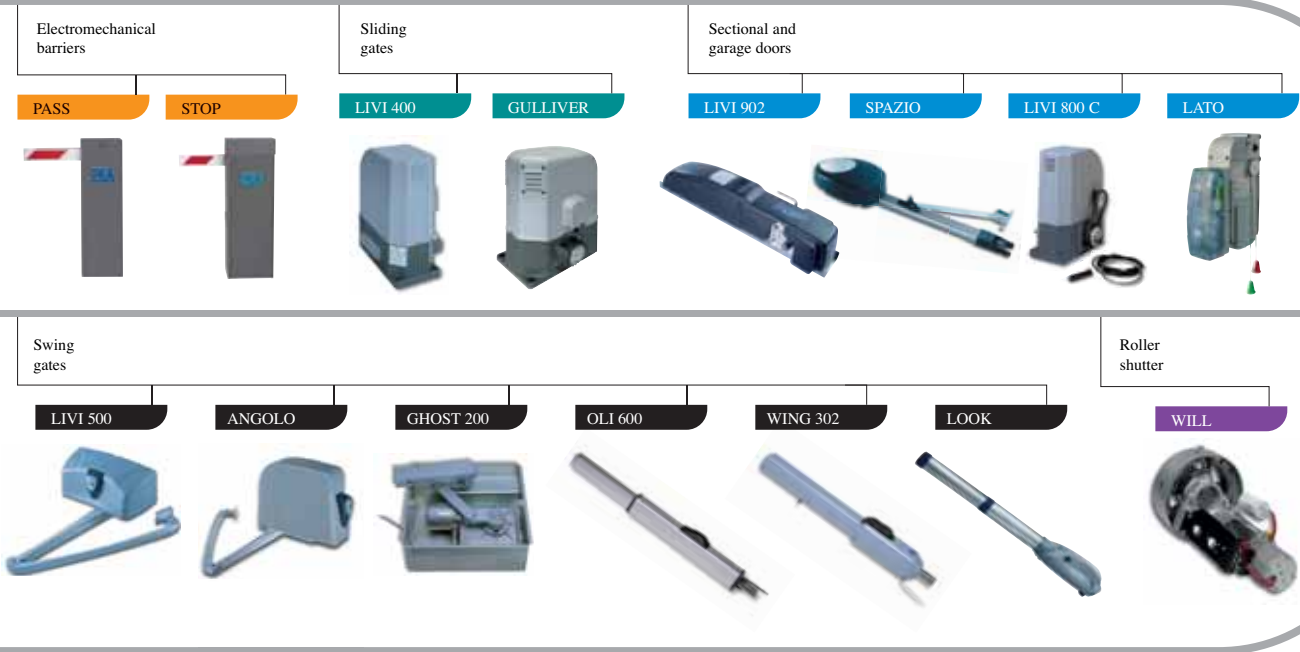
**IDEAKIT LOOK**  
Complete automation  
with DEA original accessories.

## Technical information

Model	350 - 351 - 352	353 - 354	355 - 356	357 - 358	371 - 372	373 - 374
Single phase power supply (50Hz)	230 V a.c.	230 V a.c.	230 V a.c.	230 V a.c.	24 V d.c.	24 V d.c.
Motor power supply (V)	230 V a.c.	230 V a.c.	230 V a.c.	230 V a.c.	24 V d.c.	24 V d.c.
Capacity (W)	300	300	300	300	60	60
Built-in capacitor ( $\mu$ F)	8	10	8	10	-	-
Duty cycle	40%	40%	40%	40%	40%	60%
Max thrust (N)	1650	1200	1650	1200	1000	1000
Speed (mm)	320	320	520	520	320	520
Rod exit speed (cm/sec)	1,6	2,0	1,6	2,0	1,75	1,75
Weight with packing (Kg)	9	9	9,5	9,5	9	9
Working limit temperature ( $^{\circ}$ C)	-20 $\div$ 40	-20 $\div$ 40	-20 $\div$ 40	-20 $\div$ 40	-20 $\div$ 40	-20 $\div$ 40
Protection degree	IP 34	IP 34	IP 34	IP 34	IP 34	IP 34



**The products**



**The accessories**



**Digikey:**  
 Safe and reliable,  
 available wireless  
 and hard-wired.



**Radio devices:**  
 frequency 433,92 Mhz,  
 available Dip-Switch  
 or Self-Learning type.



**Flashing light**  
 with built-in  
 433,92 Mhz  
 aerial.



**Control boards:**  
 230V a.c. e 24V d.c.,  
 exact and simple  
 programming.



**Safety beams:**  
 reliable and easy  
 to install.



**Programming keyboard for**  
 transponder and wireless  
 transmission systems; it allows  
 you to personalize installations  
 with fitter/installation codes.

DEALER STAMP



**DEA SYSTEM S.p.A.**  
 GATE AUTOMATION  
 Via della Tecnica, 6 - 36013 PIOVENE ROCCHETTE (VI)  
 Telefono: + 39 0445 550789 - Telefax: + 39 0445 550265  
 www.deasystem.com  
 deasystem@deasystem.com